

MICROSCAN®

HawkEye™ 1500 Series Quick Start Guide

V2.4.1, Nov 2008

EM-40390-1V241

Copyright and Disclaimer

Copyright ©2008 by Microscan Systems, Inc.

1201 S.W. 7th Street, Renton, WA, U.S.A. 98057
(425) 226-5700 FAX: (425) 226-8682

All rights reserved. The information contained herein is proprietary and is provided solely for the purpose of allowing customers to operate and/or service Microscan manufactured equipment and is not to be released, reproduced, or used for any other purpose without written permission of Microscan.

Throughout this manual, trademarked names might be used. Rather than place a trademark (™) symbol at every occurrence of a trademarked name, we state herein that we are using the names only in an editorial fashion, and to the benefit of the trademark owner, with no intention of infringement.

Disclaimer

The information and specifications described in this manual are subject to change without notice.

Latest Manual Version

For the latest version of this manual, see the Download Center on our web site at: www.microscan.com.

Technical Support

For technical support, email: helpdesk@microscan.com.

Microscan Systems, Inc.

1201 S.W. 7th Street
Renton, WA 98057
U.S.A.
Tel: 425 226 5700
Fax: 425 226 8250
helpdesk@microscan.com

Microscan Europe

Tel: 31 172 423360
Fax: 31 172 423366

Microscan Asia Pacific

R.O. Tel: 65 6846 1214
Fax: 65 6846 4641

Microscan Limited Warranty Statement and Exclusions

What Is Covered?

Microscan Systems Inc. warrants to the original purchaser that products manufactured by it will be free from defects in material and workmanship under normal use and service for a period of one year from the date of shipment. This warranty is specifically limited to, at Microscan's sole option, repair or replacement with a functionally equivalent unit and return without charge for service or return freight.

What Is Excluded?

This limited warranty specifically excludes the following: (1) Any products or parts that have been subject to misuse, neglect, accident, unauthorized repair, improper installation, or abnormal conditions or operations; (2) Any products or parts that have been transferred by the original purchaser; (3) Customer mis-adjustment of settings contrary to the procedure described in the Microscan Systems Inc. owners manual; (4) Upgrading software versions at customer request unless required to meet specifications in effect at the time of purchase; (5) Units returned and found to have no failure will be excluded; (6) Claims for damage in transit are to be directed to the freight carrier upon receipt. Any use of the product is at purchaser's own risk. This limited warranty is the only warranty provided by Microscan Systems Inc.

regarding the product. Except for the limited warranty above, the product is provided “as is.” To the maximum extent permitted by law, this express warranty excludes all other warranties, express or implied, including but not limited to, implied warranties of merchantability and. Technical support questions may be directed to: helpdesk@microscan.com Register your product with Microscan: www.microscan.com/register fitness for a particular purpose. Microscan Systems Inc. does not warrant that the functions contained in the product will meet any requirements or needs purchaser may have, or that the product will operate error free, or in an uninterrupted fashion, or that any defects or errors in the product will be corrected, or that the product is compatible with any particular machinery.

Limitation of Liability

In no event shall Microscan Systems Inc. be liable to you or any third party for any special, incidental, or consequential damages (including, without limitation, indirect, special, punitive, or exemplary damages for loss of business, loss of profits, business interruption, or loss of business information), whether in contract, tort, or otherwise, even if Microscan Systems Inc. has been advised of the possibility of such damages. Microscan Systems Inc.’s aggregate liability with respect to its obligations under this warranty or otherwise with respect to the product and documentation or otherwise shall not exceed the amount paid by you for the product and documentation. Some jurisdictions do not allow the exclusion or limitation of incidental or consequential damages or limitations on an implied warranty, so the above limitation or exclusion may not apply to you. This warranty gives you specific legal rights, and you may also have other rights which may vary from state to state.

Tel: 425.226.5700 | Fax: 425.226.8250 | helpdesk@microscan.com

Contents

PREFACE	Welcome! vii
	Purpose of This Manual vii
	Manual Conventions vii
CHAPTER 1	HawkEye™ 1500 Quick Start Guide 1-1
	Package Contents 1-1
	Recommended Configuration 1-3
	Getting the HawkEye™ Up and Running 1-3
	Using QuicSet® Functionality 1-7
	QuicSet Symbol Alignment 1-7
	QuicSet Decoder Optimization 1-9
	QuicSet Decoder Factory Defaults 1-9
	QuicSet Summary 1-10
	Setting Up RS-232 Communications 1-10
	Installing ReadRunner Using the Wizard 1-11
	Setting Up Network Communications 1-12
	Using DHCP 1-12
	Using Static IP Addressing (No DHCP) 1-13
	Using an Ethernet Cross-Link Cable 1-15
	Windows 2000 1-15
	On the PC... 1-15
	On the HawkEye™ 1500... 1-16
	Windows XP 1-17
	On the PC... 1-17

Contents

On the HawkEye™ 1500...	1-18
Sample Data Matrix Symbols & Barcodes	1-19
Reader Programming Through Data Matrix	1-19
Setting Serial Communications	1-19
Setting Triggers	1-19
Resetting	1-19
Setting Targeting	1-20
Setting Beeper	1-20
Setting Illumination	1-20
Resetting ROI	1-20
Setting Learn/Unlearn	1-20
Setting Photometry	1-20
Saving	1-21
Setting DHCP	1-21
For Detailed Information	1-21

Welcome!

Purpose of This Manual

The purpose of the manual is to get you up and running quickly and confidently with your HawkEye™ 1500.

Manual Conventions

The following typographical conventions are used throughout this manual.

- Items emphasizing important information is **bolded**.
- Menu selections, menu items and entries in screen images are indicated as: Run (triggered), Modify..., etc.

HawkEye™ 1500 Quick Start Guide

The Quick Start Guide contains step by step procedural information to set up the Microscan HawkEye™ 1500 series camera. The camera can read both 1-D barcode and 2-D Data Matrix symbologies, and uses patented image lighting, capturing and decoding to read Data Matrix direct part marks created with laser etch, dot peening, ink-jet, chemical etch, casting, and other techniques on a variety of surfaces.

Package Contents

Please take a moment to confirm that the package contains the following items, as shown in Figure 1–1:

- CD (contains software and documentation)
- HawkEye™ 1500 smart camera (1515 shown in Figure 1–1)
- Serial communications cable
- Power supply with international plug adapters (optional accessory)

FIGURE 1-1. Package Contents



HawkEye 1515



Serial Communications Cable



Power Supply with International Plug Adapters
(Optional)

Note: Newer HawkEye 1515 cameras look different than the camera shown here.

Recommended Configuration

The minimum recommended system configuration is a PC with a Pentium II 200 MHz and 64MB of memory. This product runs on Windows 2000 (SP 4) and Windows XP (SP 2).



WARNING! DO NOT LOOK AT THE LASER. WHEN READING PARTS THAT ARE HIGHLY REFLECTIVE, BE CAREFUL THAT THE LASER IS NOT REFLECTED INTO SOMEONE'S EYE.

Getting the HawkEye™ Up and Running

At this point, the PC is optional, as the HawkEye™ 1500 will operate in its default configuration. The PC may be needed later to adjust HawkEye™ 1500 operating parameters to exactly match particular application requirements. Ultimately, a device such as a PC will be needed to capture the data output sent by the HawkEye™ during the scanning operation.

Use the following procedure to get your HawkEye™ 1500 up and running:

1. Carefully remove the HawkEye™ 1500 from its packaging.
2. For maximum adjustment flexibility, mount the HawkEye™ 1500 on an adjustable ball swivel type mount (not supplied).
3. Adjust the HawkEye™ 1500 to a reading angle of approximately 20° off the symbol's vertical axis or surface normal.

Surface normal is the axis that is perpendicular to the surface on which the symbol is located. Visually, you can determine the 20° angle by aligning the symbol's surface normal parallel to the top edge of the HawkEye™ 1500 graphic logo that is located on either side of the camera.

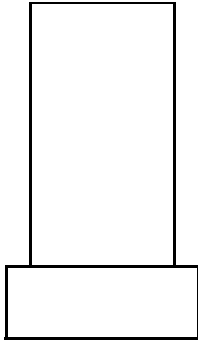
This scan angle reduces surface glare and enhances contrast. The angle may be increased or decreased ($\pm 10^\circ$) to optimize read performance on different symbol surfaces. (See Figure 1–2.)

FIGURE 1-2. Optimal Mounting for the HawkEye™ 1515



Note: 20° (dotted line is vertical) is the correct angle for the HawkEye™ 1515, as shown in Figure 1-2. However, due to the robustness of the algorithm, you can adjust the camera $\pm 10^\circ$ to optimize read performance on different symbol surfaces.

FIGURE 1-3. Optimal Mounting for the HawkEye™ 1525



Note: The HawkEye™ 1525 should be mounted perpendicular to the symbol being read, as shown in Figure 1-3.

4. Connect the power cord to the outlet and to the rear panel of the HawkEye™ 1500 (DC-IN).

Apply power and listen for three beeps at the end of the boot-up cycle, which takes approximately 15 seconds. Once the HawkEye™ completes its boot cycle, it is operational, and ready to read symbols. This is indicated by the yellow Mode indicator being on.

Note: By default, the HawkEye™ 1500 ships with DHCP enabled. If the HawkEye™ 1500 is not connected to a network with DHCP, it will time out after 15 seconds.

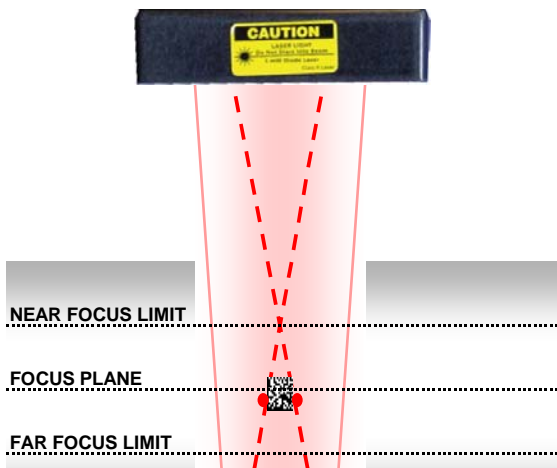
The HawkEye™ 1500's default configuration is called Demo mode, which allows easy operation and testing, as it does not require any external signals to operate. In Demo mode, the HawkEye™ 1500 is programmed to keep both lighting and laser targeting permanently on. It also scans continuously for symbols (continuous internal trigger), while automatically adjusting the Photometry parameters (Exposure and Gain) to their optimum settings.

5. Place a Data Matrix or Barcode symbol under the HawkEye™ 1500. See the sample symbols on page 1–19.
6. Establish the read range by physically moving the HawkEye™ 1500 toward the symbol, starting from about 6 inches away, until the two laser dots are close together on the symbol. See Figure 1–4.



WARNING! DO NOT LOOK AT THE LASER. WHEN READING PARTS THAT ARE HIGHLY REFLECTIVE, BE CAREFUL THAT THE LASER IS NOT REFLECTED INTO SOMEONE'S EYE.

FIGURE 1–4. Laser Targeting



Note: The point where the laser dots converge is when the HawkEye™ 1500 is at “near focus.” Moving the HawkEye™ 1500 away from the symbol slightly will improve the focus.

If you are using a HawkEye™ 1515, remember to keep the 20° tilt angle to the symbol surface to eliminate reflections.

HawkEye™ 1510 and 1500 XL series do not have laser targeting.

The symbol is now within the HawkEye™ 1500’s read range. A good read will be indicated by a beep and the illumination of the green “Pass” indicator.

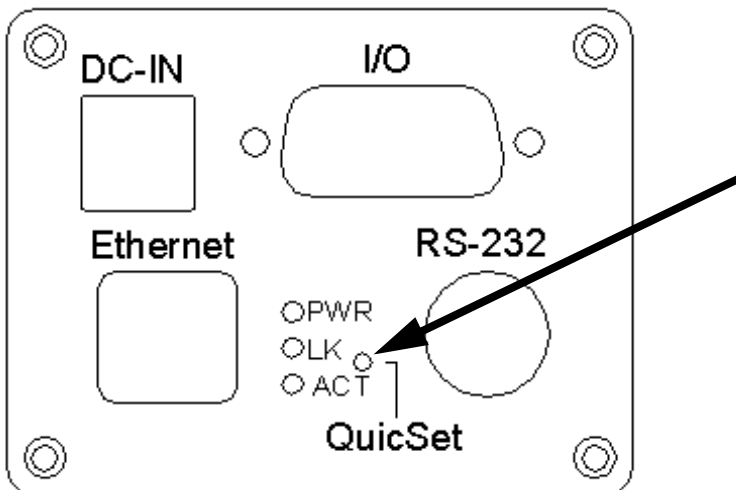
Using QuicSet® Functionality

The HawkEye™ 1500's QuicSet® functions help you set up the camera without the need for an external program or PC. The QuicSet® functions are:

- “QuicSet Symbol Alignment” on page 1-7
- “QuicSet Decoder Optimization” on page 1-9
- “QuicSet Decoder Factory Defaults” on page 1-9

Figure 1–5 shows the HawkEye™ 1500 rear panel with the QuicSet recessed button highlighted.

FIGURE 1–5. HawkEye™ 1500 Rear Panel



QuicSet Symbol Alignment

In its default mode of operation, the HawkEye™ 1500 is programmed in a continuous read mode (non triggered) with targeting and illumination constantly on. In this mode, the HawkEye™ 1500 automatically adjusts the Gain and Exposure parameters to the optimal level for the part that is within its field of view. This is called Auto Photometry. The Auto Photometry algorithm works with the data that is in the center of the field of view (FOV). Therefore, place the part that is being read as close as possible to the center of the FOV. To aid you in the alignment of the symbol in the center of the FOV, use the following procedure:

1. Insert a paper clip into the hole marked **QuicSet**, and press once (see Figure 1–5).

Ensure that the yellow **Mode** light is flashing. Physically position the HawkEye™ 1500 until the laser dots are almost together for small Data Matrix symbols, or slightly farther apart on the horizontal axis for bar code symbols.

Note: The HawkEye™ 1500 XL can still benefit from QuicSet alignment. Alignment and focus must be performed manually!



WARNING! DO NOT LOOK AT THE LASER. WHEN READING PARTS THAT ARE HIGHLY REFLECTIVE, BE CAREFUL THAT THE LASER IS NOT REFLECTED INTO SOMEONE'S EYE.

When the laser beams are centered on the symbol, a series of beeps will be heard. The beeps have three tones and three rates:

- Low — Signals that the symbol is in the field of view
- Middle — Signals that the symbol is close to optimal read position
- High — Signals the optimal position

The three LEDs above the blinking Mode LED correspond to the three beeps.

- With poor alignment, there are no LEDs flashing and there is no beeping.
 - As the alignment improves, the LEDs begin to illuminate, from bottom to top, and beeping begins.
 - At optimal alignment, all the LEDs are flashing and beeping is at its highest intensity.
2. Slightly move the HawkEye™ 1500 until the high intensity beep is achieved, lock down the camera's position, then press the **QuicSet®** button once to exit **QuicSet®** mode.

You will hear three short beeps and the Mode LED will return to steady on. This indicates that the HawkEye™ 1500 is ready to read using the QuicSet® mode settings.

QuicSet Decoder Optimization

When the HawkEye™ 1500 is set up on a line to read one specific type of mark, the Decode algorithm can be optimized to look for symbols of the same type and size. By optimizing the Decode algorithm, the part will be read more reliably and, in most cases, more quickly.

To optimize the decoder using QuicSet® while in continuous trigger mode, follow this procedure:

1. Insert a paper clip into the hole marked **QuicSet** and press twice (see Figure 1–5). The HawkEye™ 1500 learns the symbol, which can be verified by the green LED and one quick beep. You can verify the learn by placing a different symbol in front of the HawkEye™ 1500, at which time the Fail light will come on.

QuicSet Decoder Factory Defaults

When the HawkEye™ 1500 needs to read a different part or a variety of parts, you need to “open up” the Decoder to read the different parts and symbols. These are the factory default settings for the HawkEye™ 1500. If the Decoder has previously been optimized, simply:

1. Insert a paper clip into the hole marked **QuicSet** and press and hold it for 3 to 4 seconds (see Figure 1–5). You will hear a short beep.

Now the HawkEye™ will read a variety of parts of differing sizes and symbology types.

Note: The equivalent remote command is **RESET FACTORY**. For more information, see the HawkEye™ 1500 Series Reference and Programmers Manual.

QuicSet Summary

TABLE 1-1. QuicSet® Summary

QuicSet Button...	To...
Press once	Enter QuicSet Alignment
Press once	Exit QuicSet Alignment
Press twice	Enter QuicSet Decoder Learn
Press and hold for 3 to 4 seconds	Enter QuicSet Decoder Factory Defaults

Setting Up RS-232 Communications

The HawkEye™ 1500 can communicate using RS-232 serial communications to a PLC or PC or some other device.

Use the following procedure to set up communications to the device:

1. Connect the supplied serial cable from the communication device to the HawkEye™ 1500.
2. Ensure that the device is set up to communicate at the same RS-232 communication settings as the HawkEye™ 1500.

The default RS-232 communication settings are:

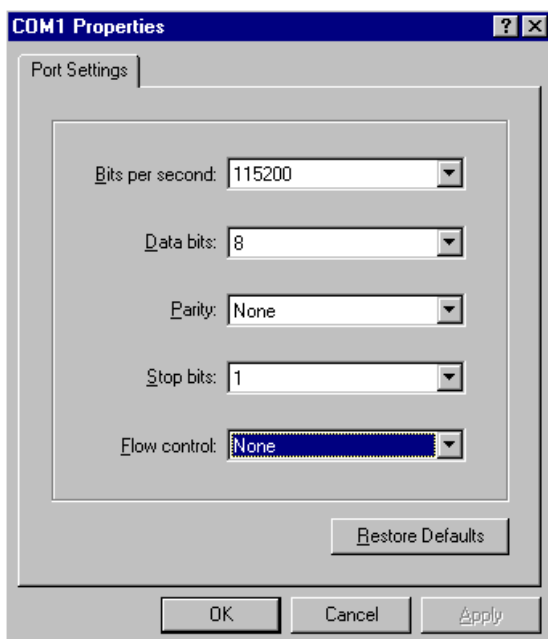
- Baud rate — 115200
- Data bits — 8
- Parity — None
- Stop bits — 1
- Flow control — None

For example, to communicate to a PC using HyperTerminal, first start the HyperTerminal program.

- a. Select File, Properties, Connect To, and Configure.

The HyperTerminal Properties window is displayed, as shown in Figure 1-6.

FIGURE 1-6. HyperTerminal Properties Window



- b. Configure all settings as shown in Figure 1-6.
- c. Click OK.

Installing ReadRunner Using the Wizard

Note: This product runs under Windows 2000 and Windows XP

Note: You must be logged in as Administrator on your PC to install ReadRunner

ReadRunner is the HawkEye™ 1500 Graphical User Interface. Use the following procedure to install the ReadRunner software onto your PC:

1. Insert the HawkEye™ 1500 Series CD into your PC's CD drive.
2. Navigate to, and double click on, `Setup.exe`.

3. Follow the install wizard and use the suggested option to install the HawkEye™ 1500 software.
4. Cycle or reset the power on the HawkEye™ 1500.

The HawkEye™ 1500 is ready for use.

Setting Up Network Communications

When using TCP/IP, the HawkEye™ 1500 can utilize Dynamic Host Configuration Protocol (RFC2131) for dynamic IP addressing. You can also configure the camera to use a “static” IP address. If you do not have a network connection available, you must use RS-232 communications to configure and control the camera. If you do have a network connection available, please contact your MIS department to determine if your network uses DHCP addressing. If your network uses static IP addressing, contact your MIS department to obtain a unique static IP address for the camera before proceeding.

You can set up communications:

- “Using DHCP” on page 1-12
- “Using Static IP Addressing (No DHCP)” on page 1-13
- “Using an Ethernet Cross-Link Cable” on page 1-15

Using DHCP

Use the following procedure to set up communications on the HawkEye™ 1500 when your network has a DHCP server:

Note: If you are unsure of your network configuration, ask your MIS administrator.

1. Connect the Ethernet cable to the HawkEye™ 1500.
2. Power up the HawkEye™ 1500.
3. Verify that the ACT and LK LEDs on the back of the HawkEye™ 1500 are flashing or solid, which indicates Ethernet data activity.

The HawkEye™ 1500 is ready for use.

Using Static IP Addressing (No DHCP)

Note: Before you can complete this procedure, you must obtain a unique IP address for the HawkEye™ 1500. See your MIS administrator.

Use the following procedure to set up communications on the HawkEye™ 1500 using static IP addressing.:

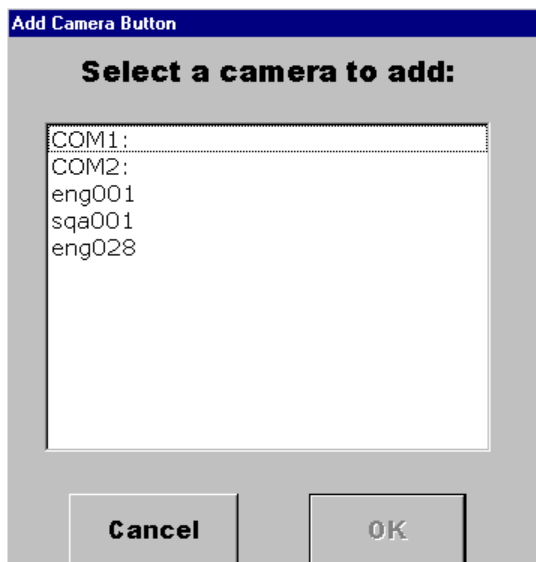
1. Connect the serial cable to the PC and to the HawkEye™ 1500.
2. Reboot the HawkEye™ 1500.

Note: There will be a 15 second delay as the HawkEye™ 1500 searches for a DHCP server.

3. From the PC, launch ReadRunner.
4. Click Add Camera.

The Add Camera Button window is displayed, as shown in Figure 1–7.

FIGURE 1–7. Add Camera Button Window



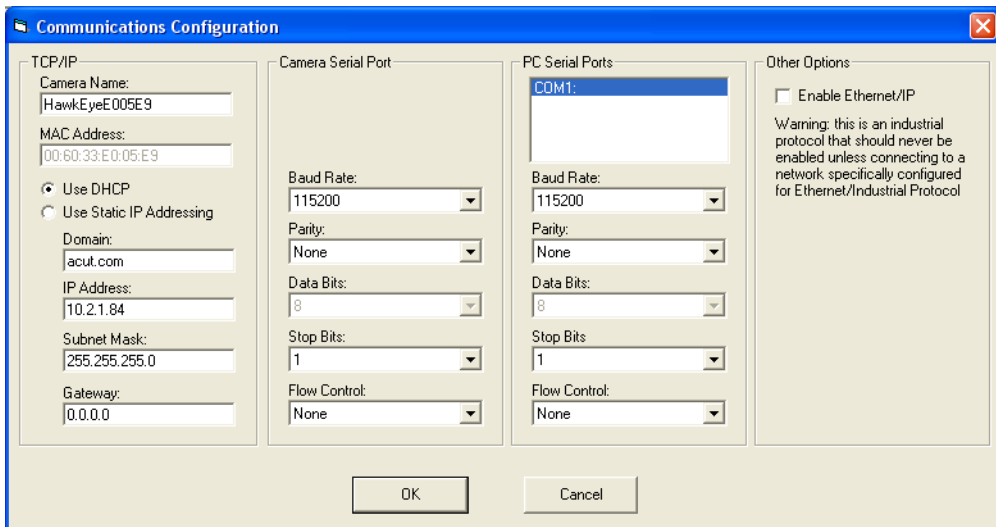
- Click either COM1 or COM2, depending on where the serial communications cable from the HawkEye™ 1500 is connected.

Note: If you connect using HyperTerminal, the same COM port may not be reachable through ReadRunner. Disconnect the HyperTerminal connection if you want to communicate using ReadRunner.

- Click OK.
- Click the COM button you just added.
- Click Take Control.
- From the Settings menu, click Serial/TCP Settings.

The Communications Configuration window is displayed.

FIGURE 1-8. Communications Configuration Window



- Click Use Static IP Addressing.
- In the Camera Name box, enter a unique name for the camera.
- In the IP Address text box, enter the IP address obtained from your MIS department.

13. In the Subnet Mask text box, specify the subnet mask provided by your MIS department.
14. If a Gateway was provided by your MIS department, enter it in the Gateway field; otherwise, leave it at 0.0.0.0.
15. Click OK, and then click Release.
16. Cycle or reset the power on the HawkEye™ 1500.

Note: If you cannot access the camera, use the RESET command (see “Commands Sent To and Output From the Camera” in Chapter 4 of the HawkEye™ 1500 Series User Manual, and the RESET command in Chapter 1 of the HawkEye™ 1500 Series Reference & Programmers Manual).

The HawkEye™ 1500 is ready for use.

Using an Ethernet Cross-Link Cable

Note: For Windows XP, see “Windows XP” on page 1-17.

Windows 2000

Note: You will need an Ethernet cross-link cable (not supplied) to complete this procedure. An ethernet cross-link cable is Microscan’ HEENET-XL or equivalent.

Use the following procedures (there are two) to set up communications between one Windows 2000 PC and one HawkEye™ 1500 using a cross-link cable.

On the PC...

1. Connect the serial cable from the PC to the HawkEye™ 1500.
2. Log into the PC on an account with Administrator privileges.
3. Right click on **My Network Places** and click on **Properties**.

This displays the Network and Dial-up Connections window.

4. Right click on **Local Area Connection** and click on **Properties**.
This displays the **Local Area Connection Properties** window.
5. Select (check mark) **Internet Protocol (TCP/IP)** and highlight it.
6. Click **Properties**.
This displays the **Internet Protocol (TCP/IP) Properties** window.
7. Click **Use the following IP address**.
8. In the **IP address** text box, enter an IP address, such as 169.254.x.x.
9. In the **Subnet mask** text box, enter a subnet mask, such as 255.255.x.x.
10. Click **OK**.

On the HawkEye™ 1500...

1. Reboot the HawkEye™ 1500.

Note: There will be a 15 second delay as the HawkEye™ 1500 searches for DHCP (which it won't find).

2. From the PC, start **ReadRunner**.
3. Click **Add Camera**.
The **Add Camera Button** window is displayed.
4. Click **COM1** to connect to the HawkEye™ 1500.
5. Click **Take Control**.
6. From the **Settings** menu, click **Serial/TCP Settings**.
The **Communications Configuration** window is displayed.
7. Click **Use Static IP Addressing**.
8. In the **IP Address** text box, specify an IP address.
Because you used 192.168.254.2 in the previous procedure, specify 192.168.254.3 here.

9. In the Subnet Mask text box, specify a subnet mask.
Use 255.255.255.0 to match the PC.
10. Click OK.
11. Click Release.
12. Cycle or reset the power on the HawkEye™ 1500.
13. Exit ReadRunner and re-start it.

The PC and the HawkEye™ 1500 can now communicate over the cross-link cable.

Windows XP

Note: You will need an Ethernet cross-link cable (not supplied) to complete this procedure. An Ethernet cross-link cable is Microscan' HEENET-XL or equivalent.

Use the following procedures (there are two) to set up communications between one Windows XP PC and one HawkEye™ 1500 using a cross-link cable.

On the PC...

1. Connect the serial cable from the PC to the HawkEye™ 1500.
2. Log into the PC on an account with Administrator privileges.
3. Right click on **My Network Places** and click on **Properties**.
This displays the Network Connections window.
4. Right click on **Local Area Connection** and click on **Properties**.
This displays the Local Area Connection Properties window.
5. Select (check mark) Internet Protocol (TCP/IP) and highlight it.
6. Click **Properties**.
This displays the Internet Protocol (TCP/IP) Properties window.

7. Click the Alternate Configuration tab.
8. Click **User configured**.
9. In the IP address text box, enter an IP address, such as 169.254.x.x.
10. In the Subnet mask text box, enter a subnet mask, such as 255.255.x.x.
11. Click **OK**.

On the HawkEye™ 1500...

1. Reboot the HawkEye™ 1500.

Note: There will be a 15 second delay as the HawkEye™ 1500 searches for DHCP (which it won't find).

2. From the PC, start ReadRunner.
3. Click **Add Camera**.
4. Click **COM1** to connect to the HawkEye™ 1500.
5. Click **Take Control**.
6. From the Settings menu, click **Serial/TCP Settings**.

The Communications Configuration window is displayed.

7. Click **Use Static IP Addressing**.
8. In the IP Address text box, specify an IP address.

Because you used 192.168.254.2 in the previous procedure, specify 192.168.254.3 here.

9. In the Subnet Mask text box, specify a subnet mask.

Use 255.255.255.0 to match the PC.

10. Click **OK**.
11. Click **Release**.

12. Cycle or reset the power on the HawkEye™ 1500.
13. Exit ReadRunner and re-start it.

The PC and the HawkEye™ 1500 can now communicate over the cross-link cable.

Sample Data Matrix Symbols & Barcodes



0123456789



HawkEye 1500



012345

Reader Programming Through Data Matrix

Setting Serial Communications



TTY 2400 N 8 1



TTY 9600 N 8 1



TTY 115200 N 8 1

Setting Triggers



TRIG T



TRIG C

Resetting



RESET DECODER



RESET APPMODE



RESET FACTORY

Setting Targeting



TARGET OFF



TARGET ON

Setting Beeper



BEEP N



BEEP Y

Setting Illumination



ILLUM OFF



ILLUM ON



ILLUM STROBE

Resetting ROI



ROI RESET

Setting Learn/Unlearn



LEARN



UNLEARN

Setting Photometry



PHOTO MAN



PHOTO AUTO

Saving



SAVE

Setting DHCP



DHCP Y



DHCP N

For Detailed Information

For detailed information about the HawkEye™ 1500, see the HawkEye™ 1500 Series User Manual and the HawkEye™ 1500 Series Reference and Programmers Manual that are installed on the hard drive (Start > Programs > ReadRunner #.# > Manuals).

